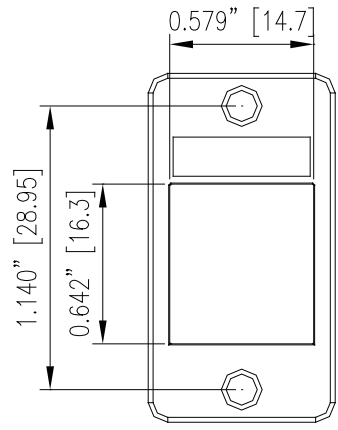
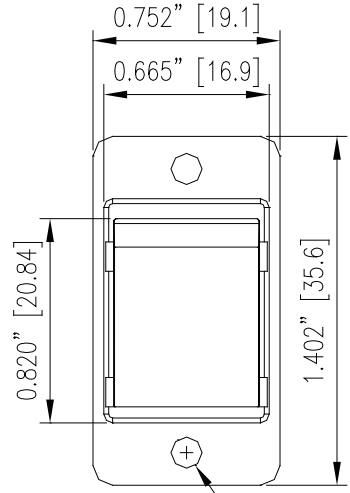
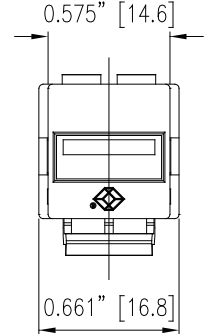


for ultrasonic welding



**MATERIAL**  
 Bezel: Zinc alloy, plated with nickel

USB A-B Coupler  
 Shell: Brass/Tin-Lead Plated Over Copper  
 Housing: High-impact Polybutylene terephthalate (PBT resin),  
 UL 94 V-0 rated, Glass Filled, 130 C  
 Contact: Copper Alloy  
 RoHS compliant

DRAWN BY Autumn Lee				
APPROVED BY Jerry Su				
DIMENSIONS ARE [IN (MM)]				
TOLERANCES:				
~0.8"	~2"	~6"	6"~	ANGLE
±0.007"	±0.015"	±0.02"	±0.06"	2°
3rd Angle Projection				

Another quality product from 		
TITLE <b>Panel Mount USB Coupler          Un-Shielded, Type "A" To Type "B" - Black</b>		
PARTS NO. <b>FMT1050</b>		REV. <b>1</b>
DATE <b>2011.04.27</b>	SCALE <b>X</b>	SHEET <b>1/1</b>